

(Dimension)
 L:356 mm
 W:58 mm
 H:26mm
 Weight: 0.9Kg



CE □ IP67

Applications

- .Industrial automation machinery
- .Mechanical,electrical equipment
- .LED slim lighting equipment
- .IT communication equipment
- .Aging equipment

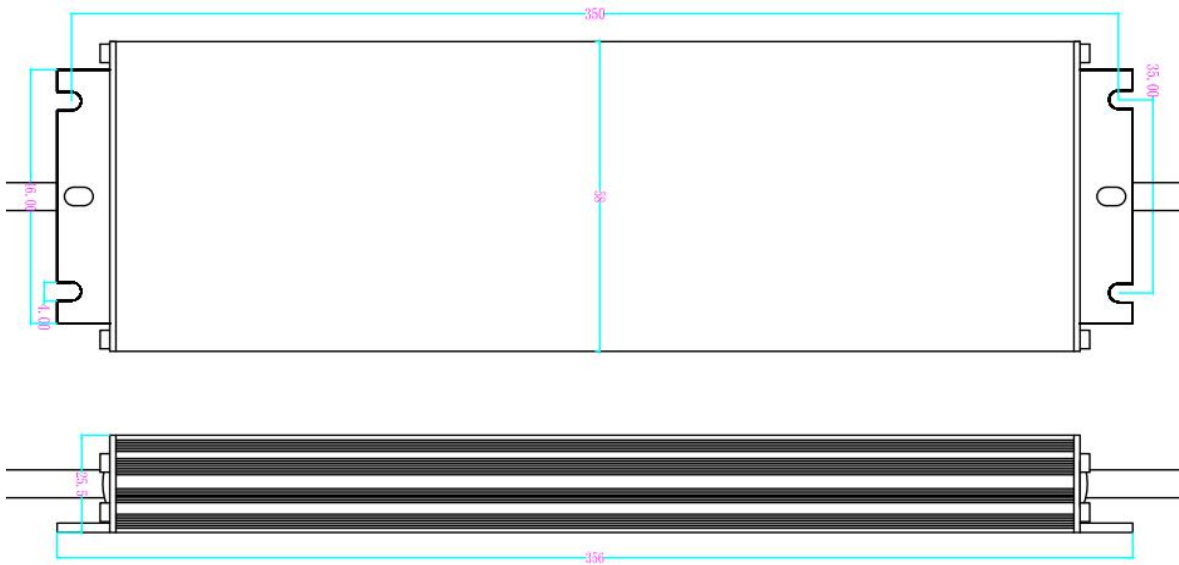
Features

- Over-load,Over-temp. protection
- cooling by free air convection
- 100% full load burn-in test
- Withstand 300VAC surge input for 5s
- No-load consumption<0.7W
- Working temperature up to 60°C
- High efficiency,long life,high reliability
- 5G vibration tested
- 2 years warranty

Specification

Product No.		WSL-200-12	WSL-250-12	WSL-200-24	WSL-250-24
Output	DC voltage	12V	12V	24V	24V
	Rated Current	16.5A	20.8A	8.3A	10.4A
	Current Range	0-16.5A	0-20.8A	0-8.3A	0-10.4A
	Rated Power	200W	250W	200W	250W
	Ripple and Noise(Max)Note.2	150mVp-p	150mVp-p	240mVp-p	240mVp-p
	Voltage adjustment	10.8-13.2V	10.8-13.2V	22-27.6V	22-27.6V
	Voltage tolerance	±1%	±1%	±1%	±1%
	Linear Regulation Note4	±0.5%	±0.5%	±0.5%	±0.5%
	Load Regulation Note5	±0.5%	±0.5%	±0.5%	±0.5%
	Setup and rise time	1000ms, 30ms/230VAC 1000ms,			
Hold up time (Typ)	50ms/230VAC				
Input	Voltage range	AC 230±15%			
	Frequency range	50HZ/60HZ			
	Efficiency (Typ)	82%	82%	84%	84%
	AC current (Typ)	2.1A/220V			
	Surge (Inrush) current (Typ)	冷启动: 65A/230VAC			
	Leakage Current	<2mA/240VAC			
Protection	Overload	>105% rated output power			
	Over temperature	Protection type: Hiccup mode, recovers automatically after fault condition is			
		Overheat protection starts when temperature in transistor over 140°C Recovers automatically after temperature is normal.			
Environment	Working temp.	-20~+60°C			
	Working humidity	20~90% RH, Non-condensing			
	Storage temp & hmdty	-40~+80°C			
	Temp. coefficient	±0.03%/°C (0~50°C)			
	Vibration proof	10~500HZ,5G 10min/1 cycle, period for 60min. each along X、Y、Z axes			
Safety reg. & EMC (Note.6)	Safety regulation	GB195110.1-2004/IEC61347-1:2003 CE(EMC+LVD)			
	Voltage proof	I/P-0:3.75KVAC I/P-FG:1.5KVAC O/P-FG:0.5KVAC			
	Isolation resistance	I/P-0/P, I/P-FG, O/P-FG:100M Ohms/500VDC/25°C/70% RH			
	EMC irradiation	EN 55022A:2006;EN61000-3-2:1995+A2:2005			
Others	EMC disturbance proof	EN 61000-3-2:2006;			
	Dimensions	356*58*26 (L*W*H)			
Remark	Packing	0.9kg/PCS; 30PCS/27kg			
	1. Unless specially indicated, all data are taken under 230VAC input, rated load and 25°C environment temp.				
	2.Ripple and noise: measured with a 12" double ripple cord connected in parallel with a 0.1µF and a 47 µF capacitor on				
	3.Tolerance(Accuracy): including preset errors, linear adjustment rate and load adjustment rate.				
	4.Linear adjustment: taken under rated load from low voltage to high voltage.				
	5.Load adjustment: taken under 0~100% of rated load.				
6. Power supply is taken as part of the whole system, and needs to be confirmed with terminal instruments for EMC.					

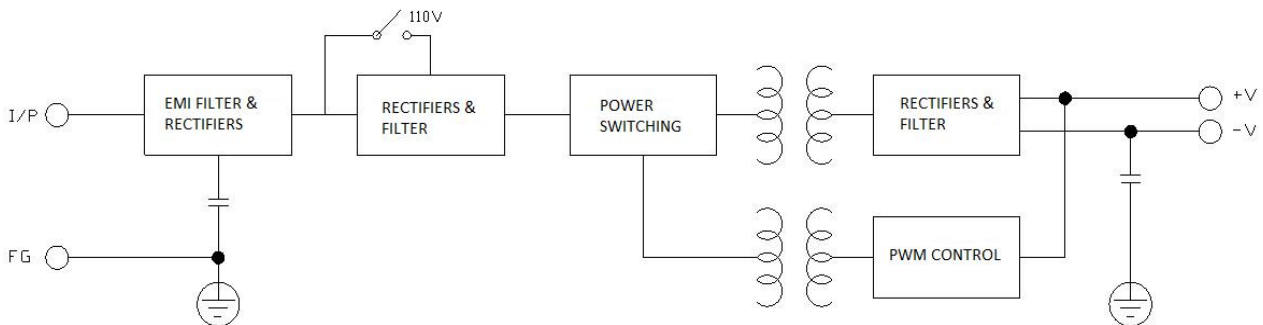
■ Appearance



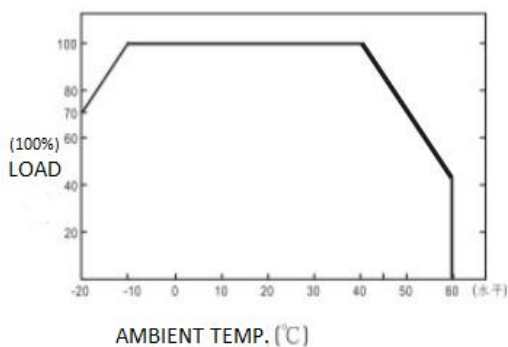
The lines definition

Line color	line function
red	OUTPUT+
black	OUTPUT-
yellow/green	FG
Bule	AC/N
Brown	AC/L

■ Frame diagram



■ Derating curve



■ Static Characteristics

